



THE MARATHON® XLA + O is the glue wheel equipped handle orientation model in the Marathon XL Series of labelers. Marathon roll-fed labelers feature SMARTdrive®, the industry's first all electronic drive train. Based on a five-axis servomotor platform supported by four variable frequency drives, SMARTdrive replaces the mechanical complexity of other labelers with a dependable, high performance electronic motion control system. The payoff is easier set-up, simpler operation, faster changeovers, increased uptime, and decreased maintenance.

SPEED + ORIENTATION

Marathon XLA + O labelers feature the linear roll-fed labeling concept invented by B & H to apply wrap-around labels to full or empty cylindrical containers at speeds up to 500cpm. Container handling and handle orientation on Marathon XLA + O labelers is performed by a dual-feedscrew and pocketed starwheel system that accommodates both handled and unhandled containers.

HIGH PRODUCTIVITY, LOW TOTAL COST OF OWNERSHIP

Accurate labeling requires precise, consistent synchronization of key labeler components. Marathon's SMARTdrive, a PLC controlled motion control system using independent multi-axis servos communicating via a high-speed bus, delivers exceptional and dependable synchronization. Other labelers that achieve synchronization through mechanically linked and timed components such as sprockets, chains and belts lose their timing as they wear and stretch. Marathon's all electronic drive train maintains precise synchronization over the life of the labeler and this translates into faster set-up and easier operation.

Marathon's SMARTdrive platform also uses significantly fewer mechanical parts and components than other labelers, which reduces maintenance costs and increases uptime. No other roll-fed labeler can match Marathon's low total cost of ownership.

FAST SIZE CHANGEOVERS

Measured from last bottle in to first bottle out Marathon labelers with standard change parts are easy to changeover in 15 minutes or less. Add less than 2 minutes for orientation change parts.

How is this possible?

First, all change parts with one exception are tool less which makes removing one set of change parts and installing the next set of change parts fast and easy.

Second, labeler set-up parameters for each container and label combination are stored as recipes in the PLC, and a recipe is selected and downloaded as part of the changeover process. When selected, the PLC accesses the recipe and then automatically sets all key components to their zero positions so labeling can begin. This eliminates the need for tedious and time consuming labeler adjustments and retiming as part of the changeover process.

HANDLED CONTAINER ORIENTATION

Marathon XLA + O labelers offer accurate, consistent orientation of offset spout handled containers with diameters up to 6.25". Label orientation to the container handle is achieved with a +/- 0.5 inch (13 mm) tolerance. Marathon XLA + O labelers are designed to accommodate change parts for both handled and unhandled containers.

MARATHON® XLA + O HIGHLIGHTS

- Steady-state production speeds up to 350 cpm for oriented containers and up to 500 cpm for non-oriented containers
- 15 minute size changeovers for standard change parts
- 17 minute size changeovers for orientation change parts
- XLA + O model features straight-through configuration
- Allen-Bradley controls and drive train standard
- Glue wheel system with five zone temperature control and monitoring standard
- Intelligent registration control system standard
- High performance Invation® 2.0 cutters available in 2, 3 or 4 station configurations
- Lower spare parts consumption and lower maintenance requirements versus mechanical or rotary labelers
- Higher operating efficiencies and productivity versus mechanical and rotary labelers
- B & H's Total Financial Impact (TFI) model and analysis process can calculate and compare the total financial impact of Marathon versus any other labeling technology

CONTACT US

sales@bhlabeling.com
+1.209.556.6160

B & H LABELING SYSTEMS

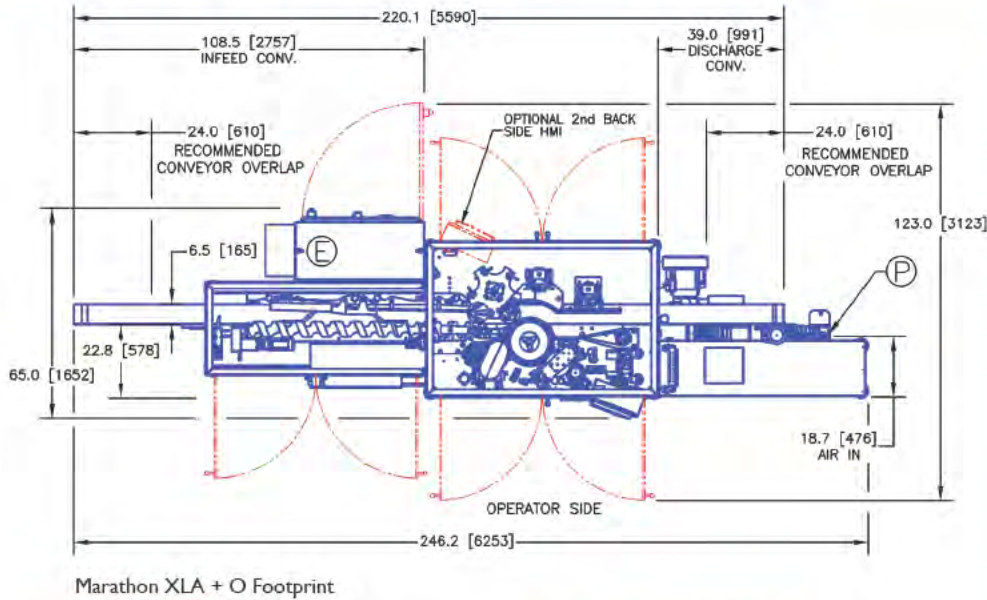
3461 Roeding Road
Ceres, CA 95307
USA

www.bhlabeling.com



INNOVATION FOR THE LONG RUN®

MARATHON® XLA + O
SPECIFICATIONS*



GENERAL FEATURES

CONVEYOR: straight-through configuration, stainless steel, left hand feed

TABLETOP & LOWER GUARDING: stainless steel

UPPER GUARDING: swing out, polycarbonate doors with safety interlocks standard

DRIVE TRAIN: SMARTdrive®, all electronic drive train with five servo axes and four variable frequency drives

PLC: Allen-Bradley

HOT MELT APPLICATION: glue wheel system

HOT-MELT TANK: ITW Dynatec

VACUUM SYSTEM: multi-valve system with independent controls

ELECTRONIC ENCLOSURE: single mild steel electrical cabinet; built-in air conditioner

OPERATOR CONTROL STATION: Allen-Bradley color HMI touchscreen

CHANGE PARTS: color-coded, Rapid Changeover (RCO) change parts standard

CONTAINER HANDLING FEATURES

CONTAINER INFEED: dual feedscrew with pocketed starwheel system

CONTAINER DISCHARGE: roll-on belt system

AUTOMATIC LINE SPEED CONTROLS: automatic adjustment of machine speed based on container supply at infeed and back-up at discharge

MISSING CONTAINER DETECTION & ALARMS: stops labeler when missing container is detected at high speed

ROLL-ON PAD: fine adjustment for pitch control

LABEL HANDLING FEATURES

REGISTRATION CONTROL: Marathon Intelligent Registration Control System standard

WEBTRACKER: standard

LABEL ROLL STANDS: dual, label roll stands with automatic tensioning system standard

LOW REEL ALARM: detects low reel status and automatic alarm notifies operator; label countdown capability allows operator to minimize butt-roll label scrap

BROKEN WEB SAFETY & ALARM: detects broken web condition and automatically shuts down machine

VACUUM DRUM SAFETY & ALARM: detects missing label on vacuum drum and automatically shuts down machine

AVAILABLE OPTIONS

2, 3, & 4 STATION INVATION® CUTTERS

KINETI-COAT™ CUTTER SHELLS

10" INVATION CUTTERS

2ND BACK SIDE HMI

REMOTE ACCESS MODULE

ETHERNET COMMUNICATIONS MODULE

UV EYEMARK SCANNER

BACK EYEMARK SCANNER

CUSTOM ELEVATION SUBFRAMES

SPARE PARTS KIT

Speed Range*: 50 – 500 CPM (containers per minute)

Container Diameter Range:

Label Panel Diameter Range:
Marathon XLA/XLUA: 1.88 – 5.02 in (47.8 – 127.5 mm)
Marathon XLA+: 1.88 – 6.25 in (47.8 – 158.8 mm)

Label Size Range:

Length (for complete wrap):
Marathon XLA/XLUA: 6.28 – 16.24 in (159.5 – 412.5 mm)
Marathon XLA+: 6.28 – 20.00 in (159.5 – 508.0 mm)

Width:

Marathon XLA/XLA+/XLUA: 1.0 – 9.5 in (25.4 – 241 mm)

Container Materials:

Plastic, glass, metal, fiberboard

Label Materials:

Paper, PP, BOPP, PVC, PE, and PS, in single and multi-layer structures

Ambient Operating Conditions:

Temperature: 50° – 120° F (10° – 49° C)
Relative Humidity: 10 – 90%, non-condensing

Controls and Drive Train:

Allen-Bradley

Electrical:

Main voltage: 380 – 480 VAC; 3 phase;
40 amps max

Air:

80 PSI via 0.5" NPT;
Consumption approximately 2 CFM

Conveyor Configuration:

Straight-through configurations

Conveyor Height:

Adjustable 36.5 to 39.0 in (927 mm – 991 mm)

* Specifications subject to change without notice.

* Labeling speed is dictated by cutter configuration, container type, container shape, orientation requirements and line conditions.

B & H LABELING SYSTEMS

3461 Roeding Road
Ceres, CA 95307
Tel: +1.209.556.6160
Fax: +1.209.537.6854
www.bhlabeling.com
sales@bhlabeling.com