



(Picture shown is Marathon SLA+ with double roll stand)

THE MARATHON® SLA is the low to mid-speed glue wheel equipped model in the Marathon Series of labelers. Marathon roll-fed labelers feature SMARTdrive®, the industry's first all electronic drive train. Based on a four-axis servomotor platform supported by up to four variable frequency drives, SMARTdrive replaces the mechanical complexity of other labelers with a dependable, high performance electronic motion control system. The payoff is easier set-up, simpler operation, faster changeovers, increased uptime, and decreased maintenance.

SPEED FOR FULL & EMPTY APPLICATIONS

Marathon SLA labelers feature the linear roll-fed labeling concept invented by B & H to apply wrap-around labels to full or empty cylindrical containers at speeds up to 450 cpm. Container handling is performed by B & H's patented Constant Velocity Starwheel System that accommodates both flattop and air conveyor systems.

HIGH PRODUCTIVITY, LOW TOTAL COST OF OWNERSHIP

Accurate labeling at high speeds requires precise, consistent synchronization of key labeler components. Marathon's SMARTdrive, a PLC controlled motion control system using independent multi-axis servos communicating via a high-speed bus, delivers exceptional and dependable synchronization. Other labelers that achieve synchronization through mechanically linked and timed components such as sprockets, chains and belts lose their timing as they wear and stretch. Marathon's all electronic drive train maintains precise synchronization over the life of the labeler and this translates into faster set-up and easier operation.

Marathon's SMARTdrive platform also uses significantly fewer mechanical parts and components than other labelers, which reduces maintenance costs and increases uptime. No other roll-fed labeler can match Marathon's low total cost of ownership.

FAST, 15-MINUTE SIZE CHANGEOVERS

Measured from last bottle in to first bottle out, Marathon labelers are easy to changeover from one container to another in 15 minutes or less.

How is this possible?

First, all change parts with one exception are tool less which makes removing one set of change parts and installing the next set of change parts fast and easy.

Second, labeler set-up parameters for each container and label combination are stored as recipes in the PLC, and a recipe is selected and downloaded as part of the changeover process. When selected, the PLC accesses the recipe and then automatically sets all key components to their zero positions so labeling can begin. This eliminates the need for tedious and time consuming labeler adjustments and retiming as part of the changeover process.

AVAILABLE OPTIONS

From UV eyemark scanners to 10" Invation Cutters to remote access modules Marathon labelers can be equipped with a wide range of options to meet application or plant requirements.

CONTACT US

For more information about Marathon labelers, e-mail us at sales@bhlabeling.com or call us at 209-556-6160. For more information you can also visit www.bhlabeling.com.

MARATHON® SLA HIGHLIGHTS

- Steady-state production speeds up to 450cpm
- Patented constant velocity starwheel system delivers smooth, efficient container handling
- 15-minute size changeovers, from last bottle in to first bottle out
- Straight-through configuration
- Allen-Bradley controls and drive train standard
- Glue wheel system with five zone temperature control and monitoring standard
- Intelligent registration control system standard
- High performance Invation® 2.0 cutters available in 2, 3 or 4 station configurations
- Lower spare parts consumption and lower maintenance requirements versus mechanical or rotary labelers
- Higher operating efficiencies and productivity versus mechanical and rotary labelers
- B & H's Total Financial Impact (TFI) model and analysis process can calculate and compare the total financial impact of Marathon versus any other labeling technology

CONTACT US
sales@bhlabeling.com
 +1.209.556.6160

B & H LABELING SYSTEMS
 3461 Roeding Road
 Ceres, CA 95307
 USA
www.bhlabeling.com



INNOVATION FOR THE LONG RUN®

MARATHON® SLA SPECIFICATIONS*

Speed Range*:

Base model:
50 – 200 CPM (containers per minute)

With roll-on belt:
50 – 350 CPM

With roll-on belt and Invation Passive Starwheel:
50 – 450 CPM

Container Handling:

B & H's patented Constant Velocity Starwheel System

Container Diameter Range:

Label Panel Diameter Range:
Marathon SLA: 1.88 – 5.02 in (47.8 – 127.5 mm)
Marathon SLA+: 1.88 – 6.25 in (47.8 – 158.8 mm)

Label Size Range:

Length (for complete wrap):
Marathon SLA: 6.28 – 16.24 in (159.5 – 412.5 mm)
Marathon SLA+: 6.28 – 20.00 in (159.5 – 508.0 mm)

Width:

Marathon SLA/SLA+: 1.0 – 9.5 in (25.4 – 241 mm)

Container Materials:

Plastic, glass, metal, fiberboard

Label Materials:

Paper, PE, BOPP, PVC, PE, and PS, in single and multi-layer structures

Ambient Operating Conditions:

Temperature: 50° – 120° F (10° – 49° C)
Relative Humidity: 10 – 90%, non-condensing

Controls and Drive Train:

Allen-Bradley

Electrical:

Main voltage: 380 – 480 VAC; 3 phase;
40 amps max

Air:

80 PSI via 0.5" NPT;
Consumption approximately 2 CFM

Conveyor Configuration:

Straight-through, left-hand infeed, stainless steel

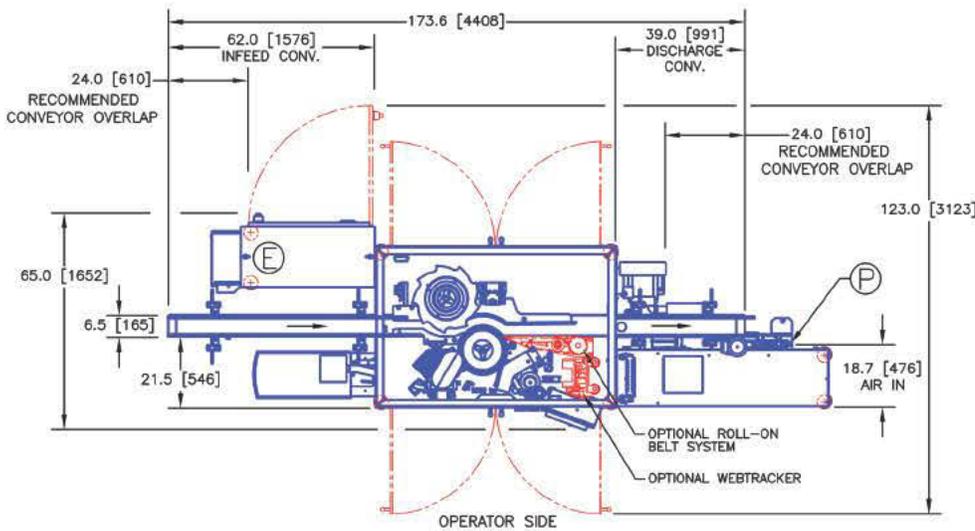
Conveyor Height: Adjustable 36.5 to 39.0 in
(927 mm – 991 mm)

+ Specifications subject to change without notice.

* Labeling speed is dictated by cutter configuration,
container type, container shape and line conditions..

B & H LABELING SYSTEMS

3461 Roeding Road
Ceres, CA 95307
Tel: +1.209.556.6160
Fax: +1.209.537.6854
www.bhlabeling.com
sales@bhlabeling.com



GENERAL FEATURES

CONVEYOR: straight-through conveyor configuration, stainless steel, left hand feed

TABLETOP & LOWER GUARDING: stainless steel

UPPER GUARDING: swing out, polycarbonate doors with safety interlocks standard

DRIVE TRAIN: SMARTdrive®, all electronic drive train with four servo axes and three or four variable frequency drives

PLC: Allen-Bradley

HOT MELT APPLICATION: glue wheel system

HOT-MELT TANK: ITW Dynatec

VACUUM SYSTEM: multi-valve system with independent controls

ELECTRONIC ENCLOSURE: single mild steel electrical cabinet; built-in air conditioner

OPERATOR CONTROL STATION: Allen-Bradley color HMI touchscreen

CHANGE PARTS: color-coded, Rapid Changeover (RCO®) change parts standard

CONTAINER HANDLING FEATURES

CONTAINER INFEEED: patented Constant Velocity Starwheel System for smooth container handling

AUTOMATIC LINE SPEED CONTROLS: automatic adjustment of machine speed based on container supply at infeed and back-up at discharge

MISSING CONTAINER DETECTION & ALARMS: stops labeler when missing container is detected at high speed

ROLL-ON PAD: fine adjustment for pitch control

LABEL HANDLING FEATURES

REGISTRATION CONTROL: Marathon Intelligent Registration Control System standard

LABEL ROLL STAND: single, label roll stand with automatic tensioning system standard

LOW REEL ALARM: detects low reel status and automatic alarm notifies operator; label countdown capability allows operator to minimize butt-roll label scrap

BROKEN WEB SAFETY & ALARM: detects broken web condition and automatically shuts down machine

VACUUM DRUM SAFETY & ALARM: detects missing label on vacuum drum and automatically shuts down machine

AVAILABLE OPTIONS

2, 3, & 4 STATION INVATION® CUTTERS

10" INVATION CUTTERS

CUTTER OIL PUMP

KINETI-COAT™ CUTTER SHELLS

2ND LABEL ROLL STAND

WEBTRACKER

ROLL-ON BELT SYSTEM

INVATION PASSIVE STARWHEEL

2ND BACK SIDE HMI

UV EYEMARK SCANNER

BACK EYEMARK SCANNER

REMOTE ACCESS MODULE

ETHERNET COMMUNICATIONS MODULE

CUSTOM ELEVATION SUBFRAMES

SPARE PARTS KIT